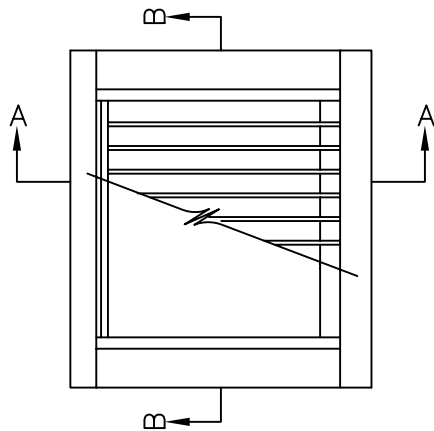
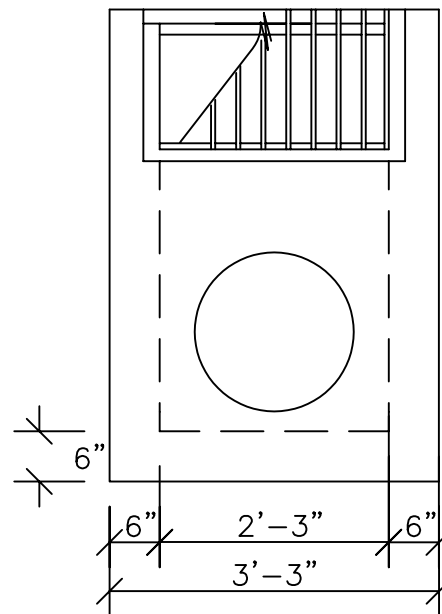


SECTION A



PLAN



SECTION B

NOTES:

1. USE IN SENSITIVE AREAS, WHERE SPECIFIED OR WHERE SLOPE OF UPSTREAM PIPE IS GREATER THAN 12%
2. USE PRECAST OR CAST-IN-PLACE G-2 DITCH INLET
3. PROVIDE SPACE BETWEEN CHANNEL AND BAFFLE TO ALLOW BAFFLE TO BE REMOVED

CITY OF SANDY

ENERGY
DISSIPATER

DATE:
DEC 2003

DRAWING NO.
306B