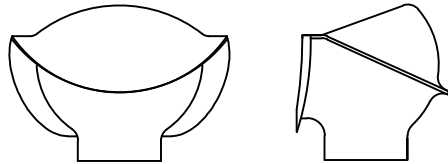
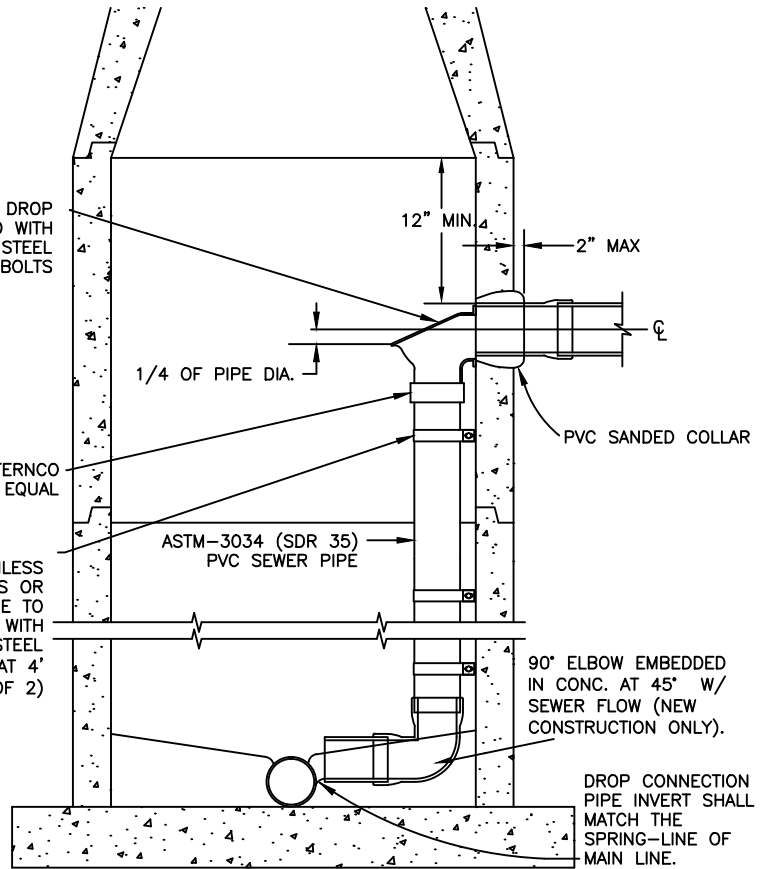


DROP BOWL MOUNTING POSITION

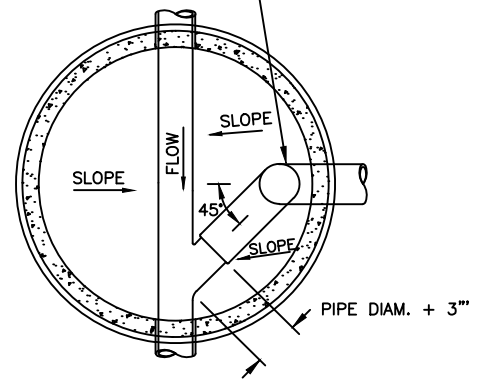


DROP BOWL W/ HOOD



INSIDE DROP CONNECTION

DROP PIPE MUST BE PLACED OPPOSITE MH RUNGS



INSIDE DROP - PLAN

NOTES:

ALL INSIDE DROP CONNECTIONS FOR SERVICES AND COLLECTOR SEWERS SHALL USE THE "DROP BOWL" OR EQUAL PRODUCED BY: RELINER-DURAN, INC. (860)434-0277 FAX: (860)434-3195

LOCAL DISTRIBUTORS:
 HD FOWLER CO. - CLACKAMAS - 503-656-3900
 NATIONAL WATERWORKS - 503-620-9123

DROP BOWL MODEL "A-4" SHALL BE USED FOR ALL LINES UP THROUGH FULL 6" INLETS. DROP BOWL MODEL "A-6" SHALL BE USED FOR ALL 8" INLETS. DROP BOWL MODEL "B-8" SHALL BE USED FOR ALL 10" INLETS.

THE FORCE LINE HOOD SHALL BE ATTACHED ON MODELS "A-4" & "A-6" WHEN THE INCOMING LINE IS A FORCE MAIN OR THE SLOPE OF A GRAVITY LINE IS 6% OR GREATER.

SECURE DROP PIPE TO MANHOLE WALL WITH RELINER-DURAN, INC STAINLESS STEEL ADJUSTABLE CLAMPING BRACKETS OR EQUAL (SEE DETAIL 7-3A).

ATTACH THE DROP BOWL & EACH CLAMPING BRACKET TO THE MANHOLE WALL WITH 3/8" X 3 3/4" RAMSET/RED HEAD BOLTS HELD IN PLACE WITH 2 STAGE EPOXY PASTE. EPOXY PASTE SHALL BE A TWO COMPONENT, 100% SOLID SYSTEM. SIKADUR 31 HI-MOD GEL BY SIKA CORPORATION OR EQUAL. (PHONE 592/941-0231)

CITY OF SANDY

INSIDE DROP MANHOLE
 (USED FOR 10" AND SMALLER DIAMETER SEWERS)

DATE: OCT. 2002

DRAWING NO. Sandv0.30A