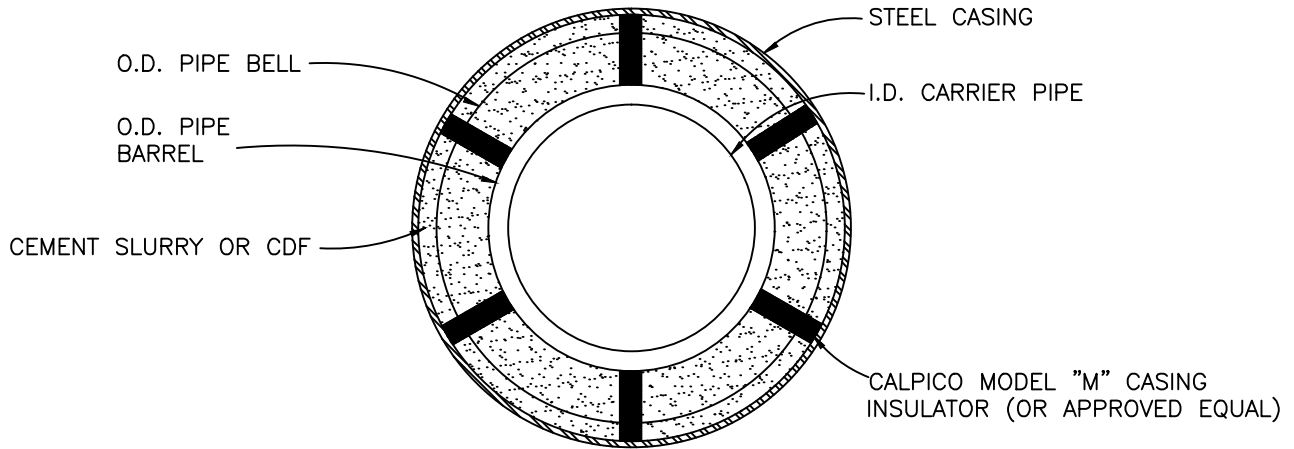


PLAN



SECTION A-A

NOTE:
PLUG ENDS OF CASING WITH CONCRETE.

CITY OF SANDY

BORE CASING DETAIL

DATE:
NOV 1997

DRAWING NO.
307