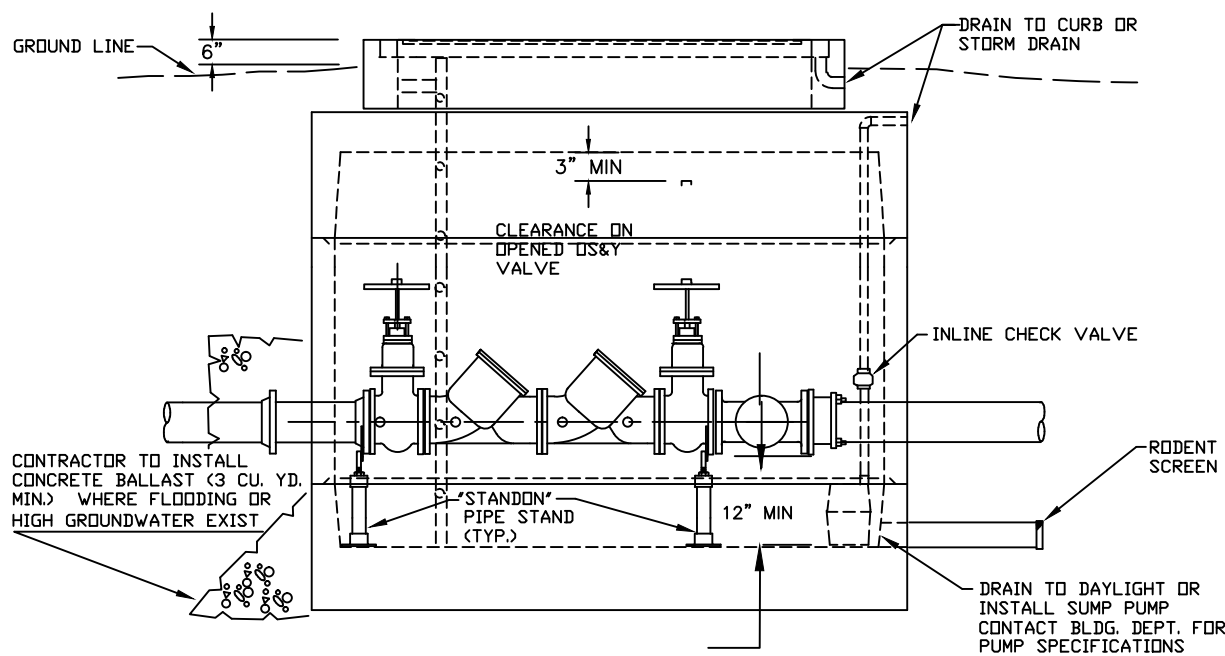


PLAN



ELEVATION

FIRE LINE DOUBLE DETECTOR CHECK ASSY.

SIZE	UTILITY VAULT OR *EQUAL		BILCO DOOR OR *EQUAL
	WITH F.D.C.	WITHOUT F.D.C.	
4	676-WA	577-WA	J-5AL
6	687-WA	676-WA	J-5AL
8	5106-LA	687-WA	JD-3AL
10	5106-LA	5106-LA	JD-3AL

\*CITY ENGINEER APPROVED EQUAL (USE TRAFFIC-RATED DOOR IN PAVED AREAS)

<b>CITY OF SANDY</b>	
<b>DOUBLE DETECTOR CHECK VALVE VAULT</b>	
DATE: APRIL 2003	DRAWING NO. <b>414</b>