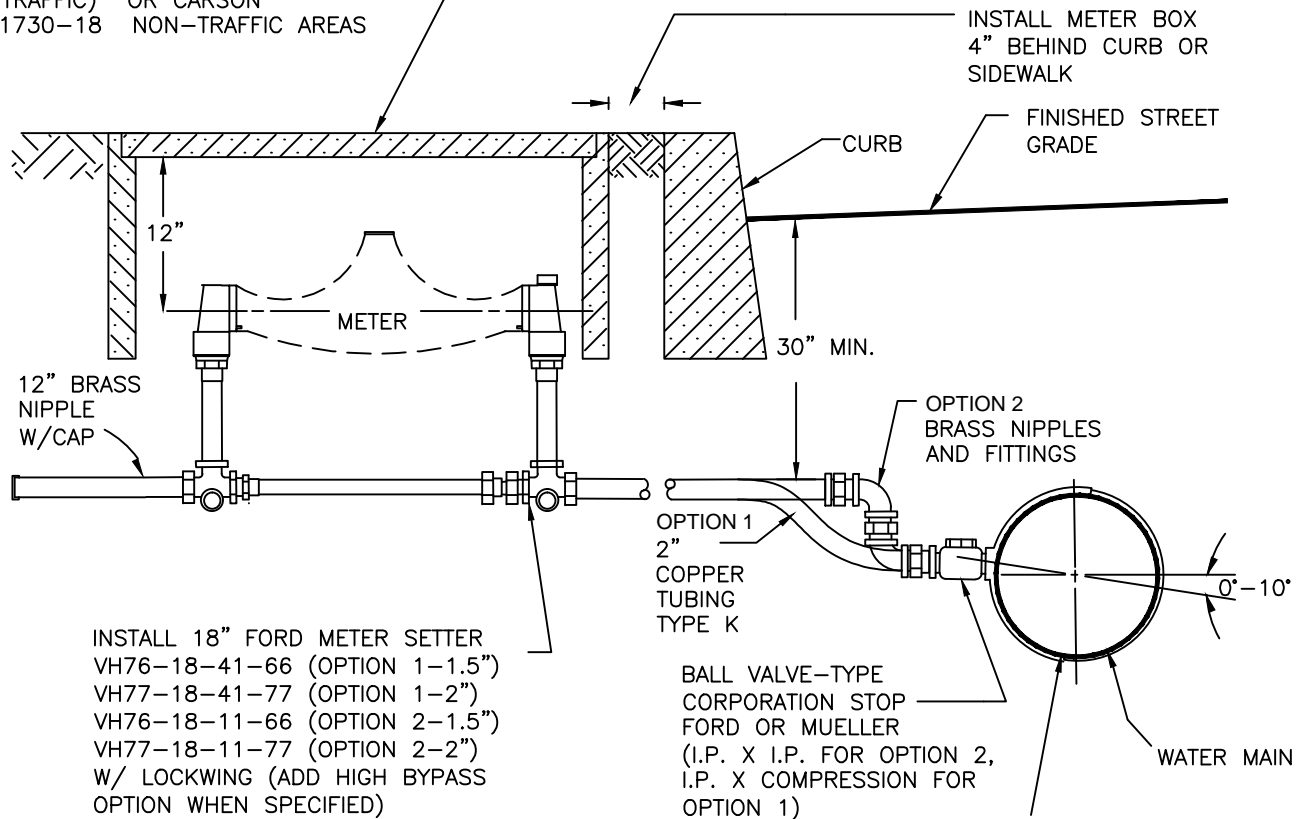


METER BOX & LID, 3 PIECE
 W/DROP IN C.I. READER
 LID. 12" TOP SECTION, AND 6"
 EXTENSION.
 UTILITY VAULT 1730-66
 (USE STEEL TRAFFIC COVER IN
 AREAS SUBJECT TO VEHICULAR
 TRAFFIC) OR CARSON
 1730-18 NON-TRAFFIC AREAS



INSTALL 18" FORD METER SETTER
 VH76-18-41-66 (OPTION 1-1.5")
 VH77-18-41-77 (OPTION 1-2")
 VH76-18-11-66 (OPTION 2-1.5")
 VH77-18-11-77 (OPTION 2-2")
 W/ LOCKWING (ADD HIGH BYPASS
 OPTION WHEN SPECIFIED)

OPTION 1
 2" COPPER
 TUBING
 TYPE K

BALL VALVE-TYPE
 CORPORATION STOP
 FORD OR MUELLER
 (I.P. X I.P. FOR OPTION 2,
 I.P. X COMPRESSION FOR
 OPTION 1)

OPTION 2
 BRASS NIPPLES
 AND FITTINGS

SERVICE SADDLE-DOUBLE
 STAINLESS STEEL STRAPS,
 NYLON OR EPOXY-COATED
 BODY ROMAC TYPE 202-N
 (OR APPROVED EQUAL)

APPROVED METERS (NO SUBSTITUTIONS):

1.5"-SENSUS OMNI T2 (210) OR C2 (410) DEPENDING
 ON FLOW RATE AND TYPE OF USE
 2"-SENSUS OMNI T2 (212) OR C2 (412) DEPENDING
 ON FLOW RATE AND TYPE OF USE
 ALL METERS SHALL READ IN CUBIC FEET, HAVE
 FLANGED ENDS AND BE EQUIPPED WITH STRAINER AND
 TEST PLUGS. METERS INSTALLED IN VAULTS SHALL BE
 EQUIPPED WITH REMOTE DISPLAY.

METER LAYING LENGTHS:

1.5" = 13"

2" = 17"

PLUS 1/2" FOR GASKETS

NOTES:

1. PRIOR TO INSTALLATION OF METERS, ALL SERVICE APPLICATIONS MUST BE COMPLETED AND APPROVED, SERVICE FEES PAID IN FULL AND AS BUILTS SUBMITTED AND APPROVED.
2. METERS WILL NOT BE SET PRIOR TO DISINFECTION OF THE MAIN AND SERVICE OR PRIOR TO A SUCCESSFUL BACTERIOLOGICAL TEST.
3. METERS ARE TO BE FURNISHED BY THE CONTRACTOR/DEVELOPER AND INSTALLED BY THE CITY.

CITY OF SANDY

**1.5" AND 2"
 WATER METER SETTING
 DETAIL**

DATE: SEPT 2001

DRAWING NO.