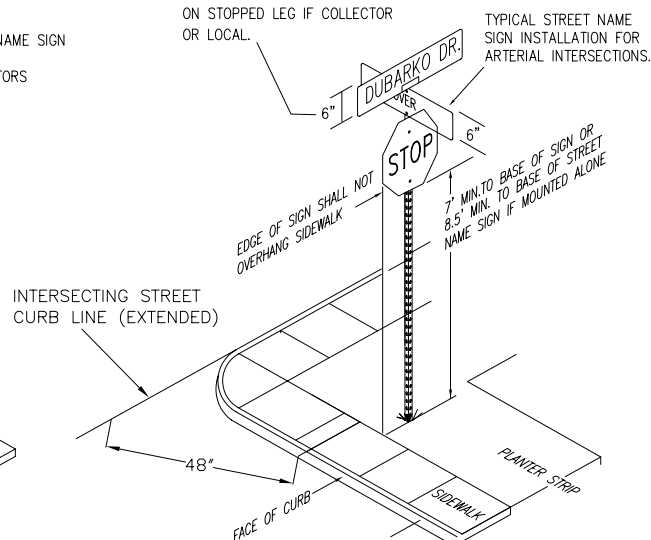
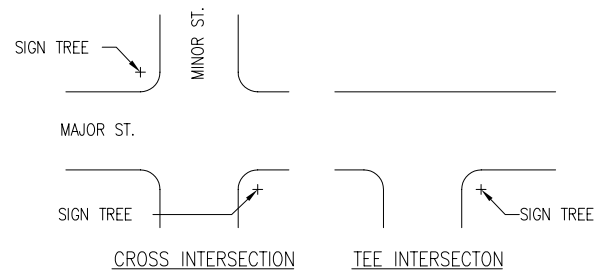


SETBACK SIDEWALK INSTALLATION



CURB TIGHT SIDEWALK INSTALLATION



TYPICAL SIGN LOCATIONS

NTS

DUBARKO DR.

9" STREET NAME SIGN BLANKS

NTS

9" BLANK USED AT INTERSECTIONS WITH STATE HIGHWAYS

DUBARKO DR.

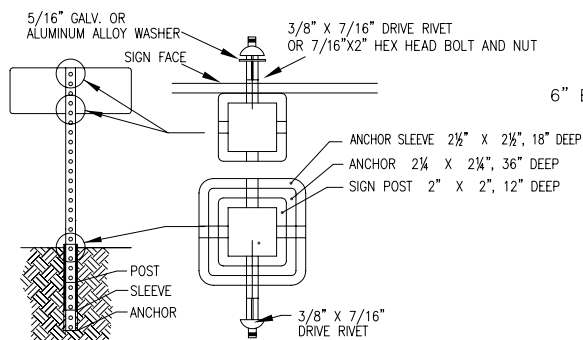
ROSS AVE.

6" STREET NAME SIGN BLANKS

NTS

6" BLANK USED FOR LOCAL, COLLECTOR AND ARTERIAL STREETS

<u>SIGNING MATERIALS</u>	
STOP & YIELD SIGNS	REFLECTIVE SHEETING, TYPE III
SCHOOL ADVANCE AND CROSSING SIGNS	YELLOW/GREEN REFLECTIVE SHEETING TYPE 9
STREET NAME SIGNS (POST & OVERHEAD MOUNTED)	LETTERS - SHEETING, TYPE III - WHITE BACKGROUND - REFLECTIVE SHEETING, TYPE III - GREEN
ALL OTHER SIGNS (POST MOUNTED)	REFLECTIVE SHEETING, TYPE III
OVERHEAD SIGNING (EXCEPT STREET NAME SIGNS)	REFLECTIVE SHEETING, TYPE III
<u>TYPICAL SIGN SIZES</u>	
STOP SIGNS - 30"x30" OR 36"x36" WHEN SPECIFIED	
SPEED SIGNS - 24"x30" ON LOCAL STREETS (DO NOT USE THE WORD "LIMIT" ON SPEED SIGNS) 30"x36" ON COLLECTOR AND ARTERIAL ROADS.	
NO PARKING SIGNS - R7-2A IS STANDARD, WITH A R7-201 12"x6" "TOW AWAY ZONE" PLACARD 12"x18" ON LOCAL ROADS, 18"x24" ON COLLECTORS AND ABOVE, WHEN ARROWS ARE USED, SIGNS AT BOTH ENDS OF THE ZONE SHALL HAVE SINGLE ARROWS POINTING IN THE APPROPRIATE DIRECTION WITH DOUBLE ARROWS IN BETWEEN.	



USE MANUFACTURED POST-TOP BRACKET FOR STREET NAME SIGN INSTALLATION

TYPICAL SIGN AND POST INSTALLATION

NOTE: All material and workmanship shall be in accordance with the current Oregon Standard Specifications

CITY OF SANDY

TRAFFIC CONTROL SIGN
INSTALLATION DETAILS

DECEMBER, 2007

DATE
DECEMBER, 2007

DRAWING No.
402