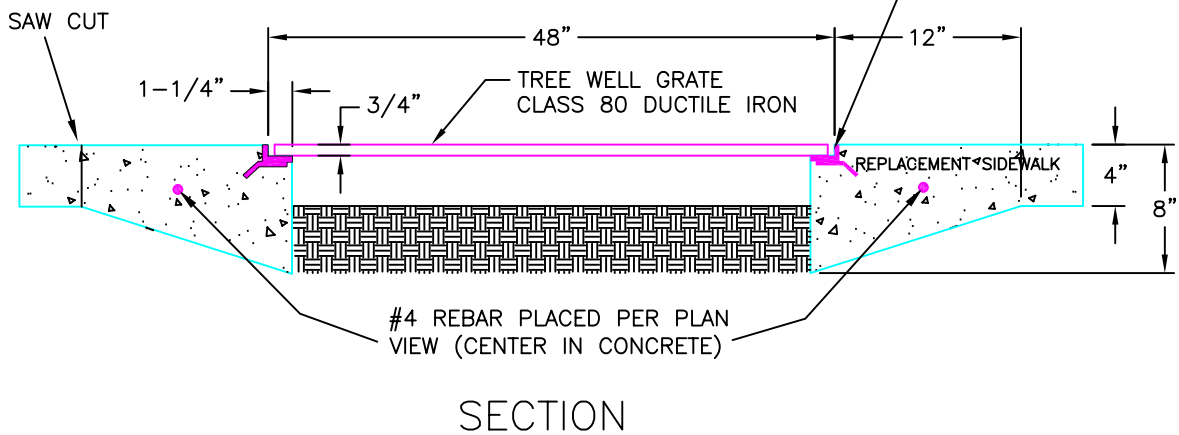
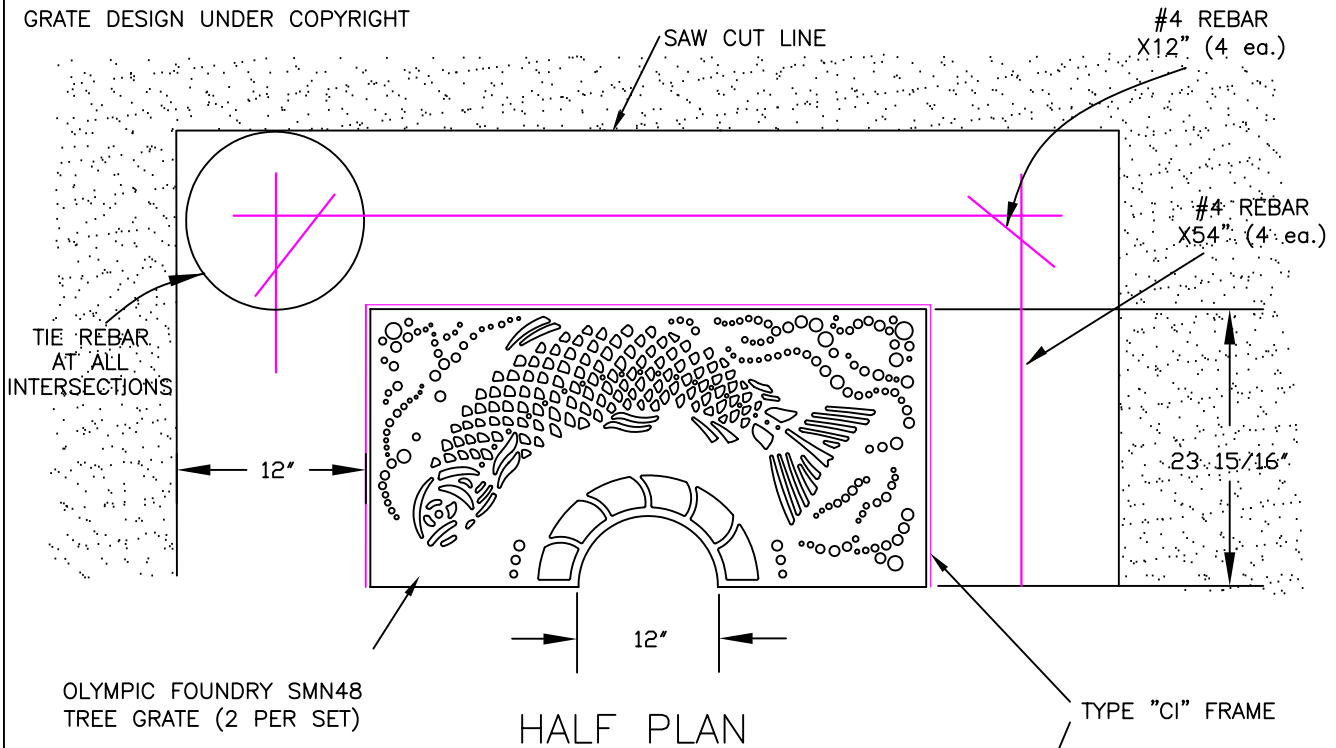


GRATE DESIGN UNDER COPYRIGHT



NOTES

- 1.) WHEN TREE GRATE IS PLACED IN EXISTING SIDEWALK USE FRAME TYPE "CI" AND ADD 12" TO OUTSIDE FRAME DIMENSION FOR ROUGH OPENING.
- 2.) ROUGH OPENING SHALL BE SAW CUT.
- 3.) REPLACEMENT SIDEWALK SECTION SHALL BE 2X EXISTING SIDEWALK THICKNESS, (8" MIN.).
- 4.) PLACE AND TIE REBAR AS SHOWN.
- 5.) FORM AND FINISH INSIDE OF TREE WELL TO FULL DEPTH.
- 6.) TREE GRATE VENDOR:  
SITELINES PARK & PLAYGROUND EQUIP.  
503-291-1800

CITY OF SANDY

SIDEWALK TREE GRATE

FOR USE IN URBAN RENEWAL DISTRICT OR WHERE OTHERWISE SPECIFIED

DATE: SEPT 2002

DRAWING NO. 212