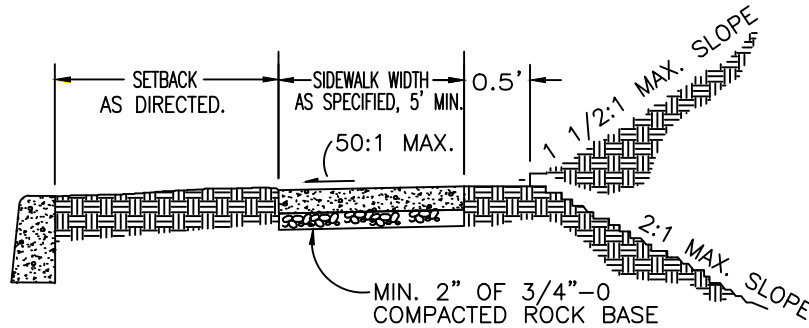
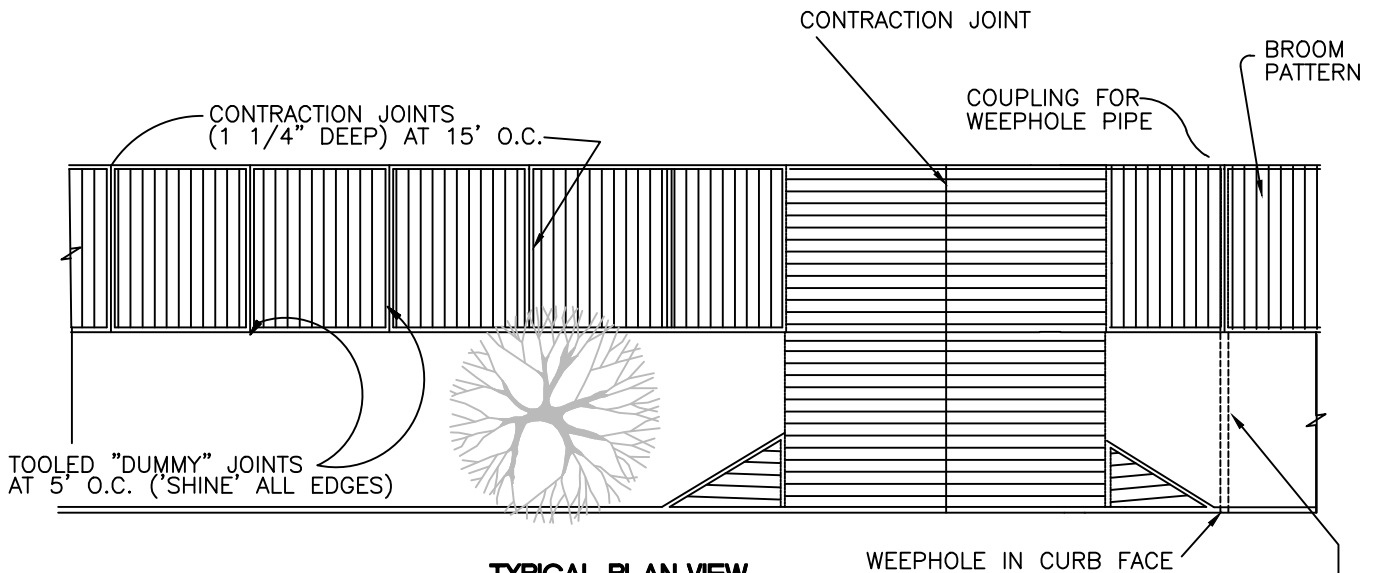


TYPICAL CURB-TIGHT CROSS SECTION



TYPICAL SETBACK TYPE CROSS SECTION



TYPICAL PLAN VIEW

NOTES:

1. SIDEWALK WIDTH DIMENSION DOES NOT INCLUDE CURB FOR CURB-TIGHT SIDEWALKS.
2. SIDEWALKS 8 FEET AND WIDER SHALL HAVE A LONGITUDINAL CONTRACTION JOINT AT THE MIDPOINT.
3. CONCRETE THICKNESS FOR STANDARD SIDEWALKS SHALL BE NOMINAL 4" MIN.; THICKNESS IN DRIVEWAY SHALL BE 6"
4. INSTALL 3" ABS WEEPHOLE PIPES IN SIDEWALKS IN LOCATIONS DIRECTED BY THE ENGINEER. PLACE CONTRACTION JOINT OVER THE TOP OF THE PIPE.

CITY OF SANDY

SIDEWALK

DATE: SEPT 2004

DRAWING NO. **205**