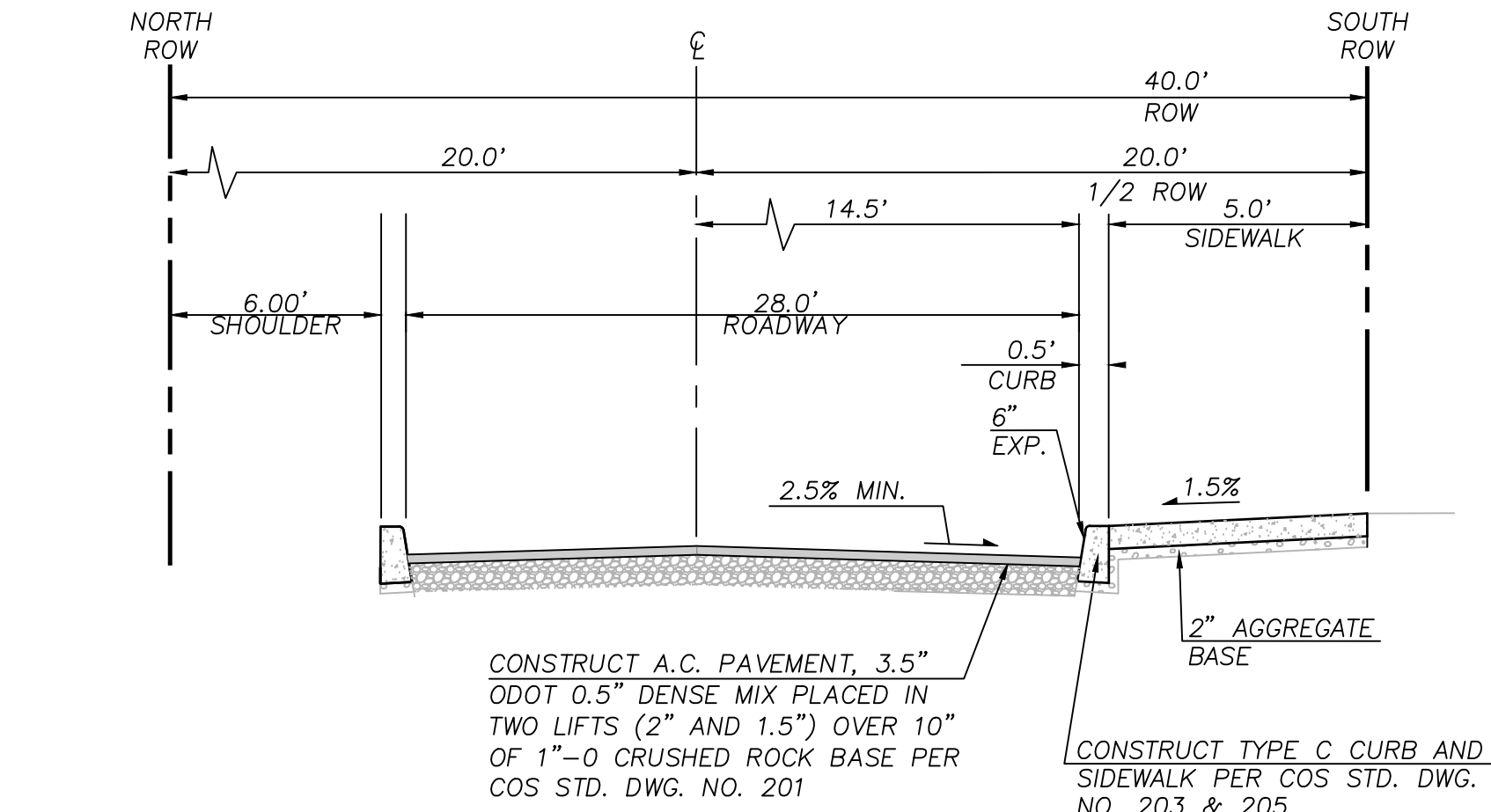
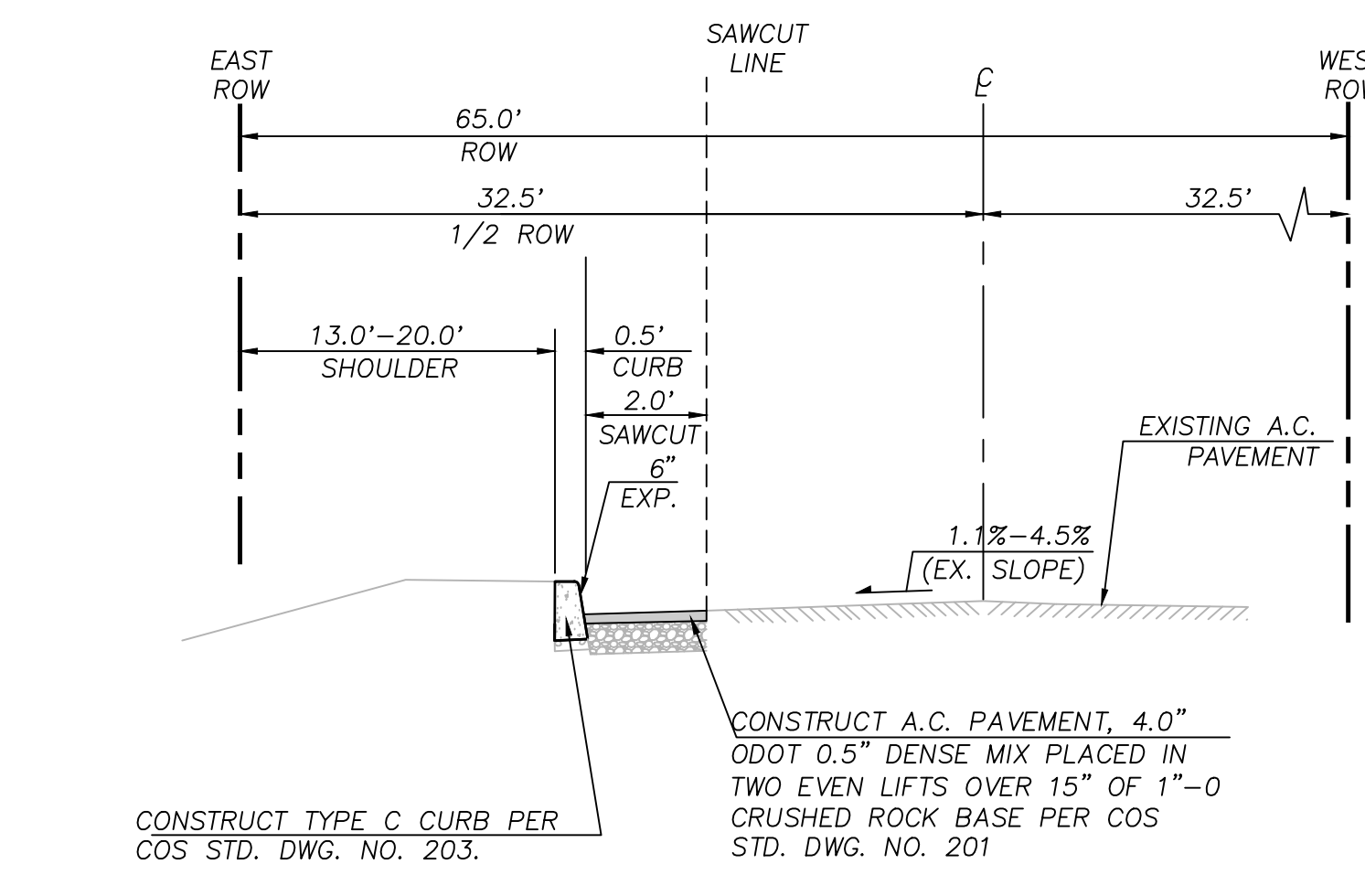


LAYOUT AND PAVING PLAN
SCALE: 1"=40'

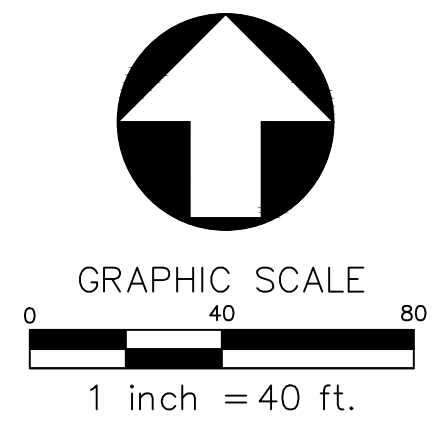
SHEET LEGEND		
	PRIVATE ASPHALT PAVING	9 C4.00
	PRIVATE CONCRETE SIDEWALK	SEE L-SHTS
	PUBLIC CONCRETE SIDEWALK	
	PUBLIC ASPHALT PAVING	
	PUBLIC CONCRETE DRIVEWAY	
	LANDSCAPING	SEE L-SHTS
	STANDARD CONCRETE CURB	6 C4.00
	SAWCUT	



2 SCENIC STREET TYPICAL SECTION (LOCAL)
NTS



1 SE MEINING AVENUE TYPICAL SECTION (COLLECTOR)
NTS



LANDSCAPE ARCHITECTS PC
lango . hansen
1100 NW GILMAN #3B PORTLAND OR 97209 T 503.295.2437



SANDY COMMUNITY CAMPUS PARK
CITY OF SANDY
CITY OF SANDY PARKS AND RECREATION
17165 SE MEINING AVE
SANDY, OR 97055

CONSTRUCTION SET
REVISIONS
SCALE AS NOTED
DRAWN BY MCS
DATE 02.07.24
PROJECT NO. 2239



LAYOUT AND PAVING PLAN
C2.00